

DETAIL A
SCALE 1 : 8

SS LIFTING ASSEMBLY

12GA SS TOE KICK, 3 SIDES
16GA SS DIMPLED PATTERN
PLATFORM & STEPS

16GA 1" ROUND SS
TUBE FRAME

1/4" X 1" FLAT BAR
MIDRAILS, SS

SS CARABINER
(500 LB.)

304 SS SAFETY
CHAIN (500 LB.)

11GA 1" SQ
SS TUBE FRAME

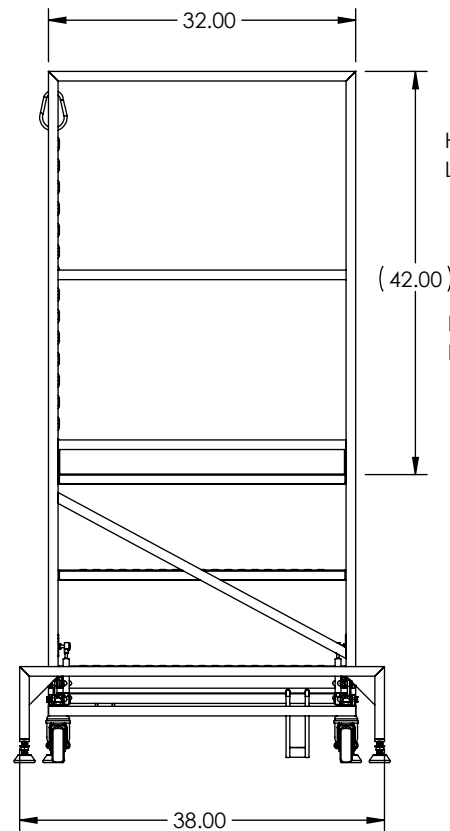
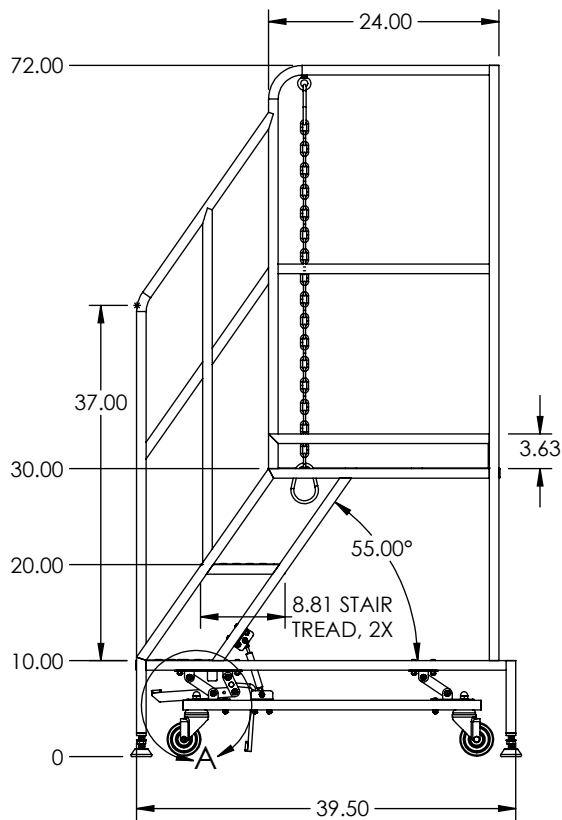
HEAVY DUTY
LEVELERS, 4X

FOOT ACTIVATED RELEASE
PEDAL ROLLING FRAME

ACTIVATION PEDAL

Ø3.5" HD SS SWIVEL CASTERS
WITH POLYPROPYLENE WHEELS, 4X

1" X 2" RECT SS TUBE
ROLLING FRAME



The custom rolling platform depicted to meet OSHA 1910.23. However, it is the responsibility of the end user to determine if the design presented meets their safety requirements.

**REQUIREMENTS WITH A 500 LB. LOAD RATING.
ROLLING PLATFORM WEIGHT = 184 LB.**

NOTE: ALL DIMENSIONS ARE ± 1/8" AT FINAL INSPECTION.

PROPRIETARY AND CONFIDENTIAL
THE INFORMATION CONTAINED IN THIS DRAWING IS THE SOLE PROPERTY OF PRO-FAB, INC. ANY REPRODUCTION IN PART OR AS A WHOLE WITHOUT THE WRITTEN PERMISSION OF PRO-FAB, INC. IS PROHIBITED.

DIMENSIONS ARE IN INCHES UNLESS OTHERWISE SPECIFIED
.X = ± .060 ANGLES = ± .5
.XX = ± .030 CUTS = ± .030
.XXX = ± .010 HOLE DIA = ± .005
.XXXX = ± .005
WELDMENTS = .030

DRAWN
SALES
RC



VOICE (505) 869-2222
FAX (505) 869-3333
www.pro-fab.com

1040 BOSQUE FARMS BLVD-BOSQUE FARMS, NM 87068

TITLE:
3 STEP X 32" WIDE
ROLLING PLATFORM

DWG. NO.
35114DPF

SIZE **A** DATE: 4/6/2021 SCALE: NTS WEIGHT: LBS SHEET 1 OF 1