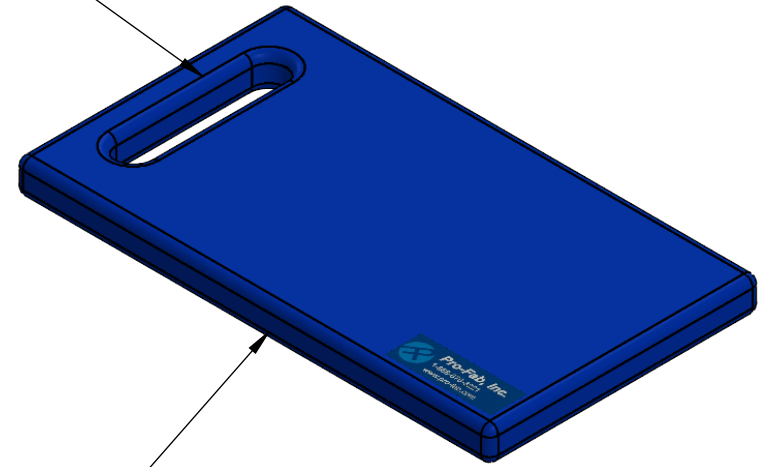
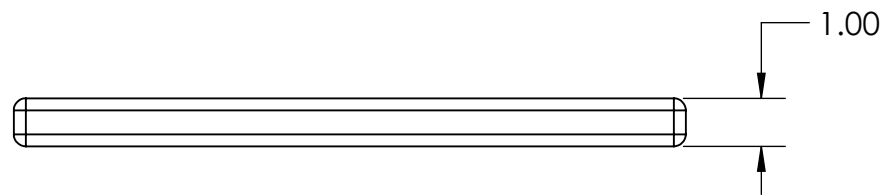


HANDLE HOLE



Closed Cell Foam With A PVC Coating (Blue)



NOTE: PAD TOLERANCE: +/- 1" (2.54 CM) - LENGTH  
 +/- 0.5" (1.27 CM) - WIDTH  
 W/SUBSTRATE: +/- 0.2" (0.5CM)

**PROPRIETARY AND CONFIDENTIAL**

THE INFORMATION CONTAINED IN THIS DRAWING IS THE SOLE PROPERTY OF PRO-FAB, INC. ANY REPRODUCTION IN PART OR AS A WHOLE WITHOUT THE WRITTEN PERMISSION OF PRO-FAB, INC. IS PROHIBITED.

DIMENSIONS ARE IN INCHES UNLESS OTHERWISE SPECIFIED  
 .X = ± .060 ANGLES = ± .5  
 .XX = ± .030 CUTS = ± .030  
 .XXX = ± .010 HOLE DIA = ± .005  
 .XXXX = ± .005  
 WELDMENTS = .030

DRAWN  
X

SALES  
RC



VOICE (505) 869-2222  
 FAX (505) 869-3333  
 www.pro-fab.com

1040 BOSQUE FARMS BLVD-BOSQUE FARMS, NM 87068

TITLE:  
Pad, Kneeling, Blue

DWG. NO.

75014APF

SIZE **A** DATE: 4/26/2021 SCALE: NTS WEIGHT: SHEET 1 OF 1