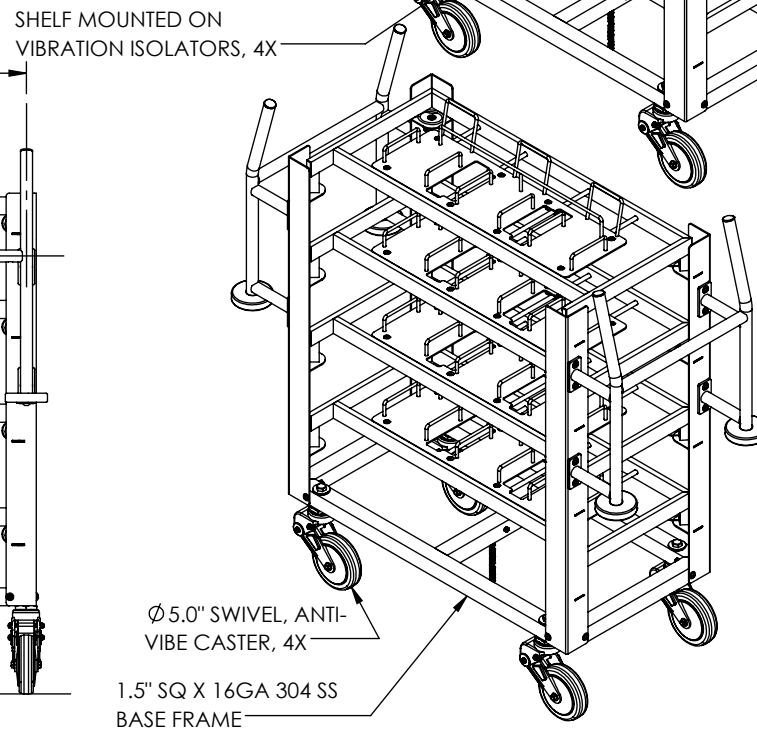
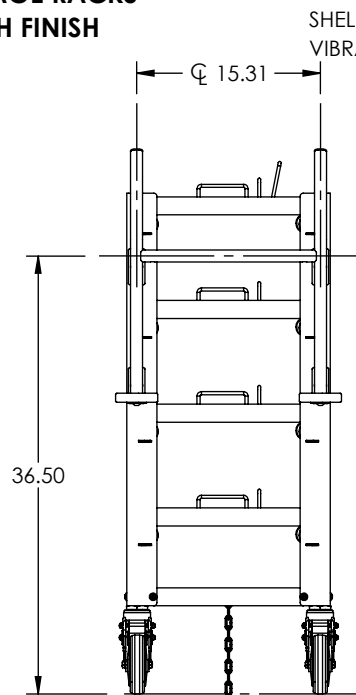
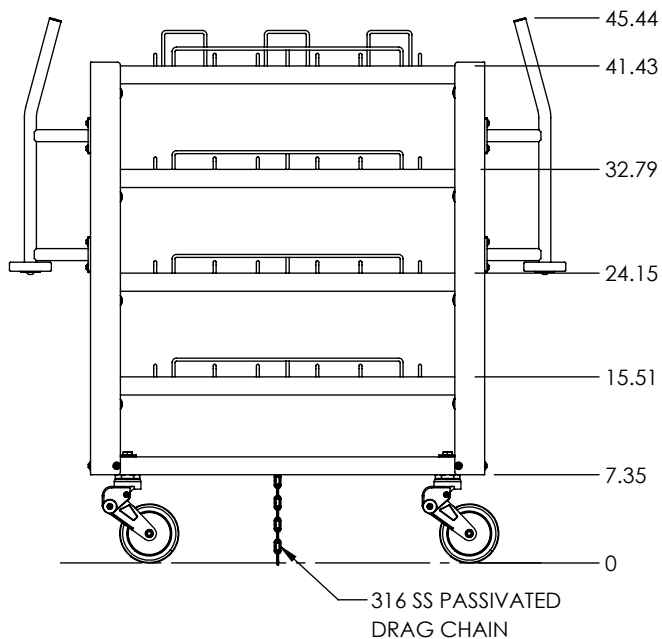


- FOR USE WITH E97-101 GENERAL LOT BOX
- CAPACITY OF 12 LOT BOXES - 3 WIP NESTS, 9 STORAGE RACKS
- ELECTROPOLISH FINISH



NOTE: ALL DIMENSIONS ARE ± 1/8" AT FINAL INSPECTION.

**PROPRIETARY AND CONFIDENTIAL**  
 THE INFORMATION CONTAINED IN THIS DRAWING IS THE SOLE PROPERTY OF PRO-FAB, INC. ANY REPRODUCTION IN PART OR AS A WHOLE WITHOUT THE WRITTEN PERMISSION OF PRO-FAB, INC. IS PROHIBITED.

DIMENSIONS ARE IN INCHES UNLESS OTHERWISE SPECIFIED  
 .X = ± .060 ANGLES = ± .5  
 .XX = ± .030 CUTS = ± .030  
 .XXX = ± .010 HOLE DIA = ± .005  
 .XXXX = ± .005  
 WELDMENTS = .030

DRAWN  
 ABL  
 SALES  
 SS



**PRO-FAB** INC.

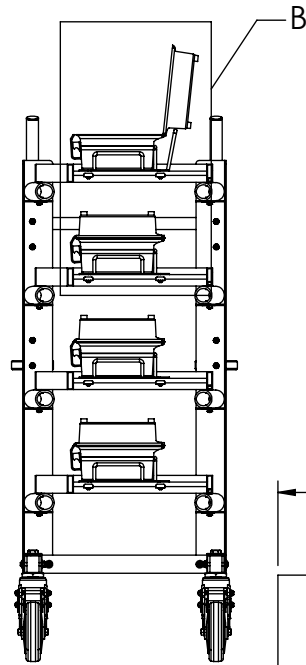
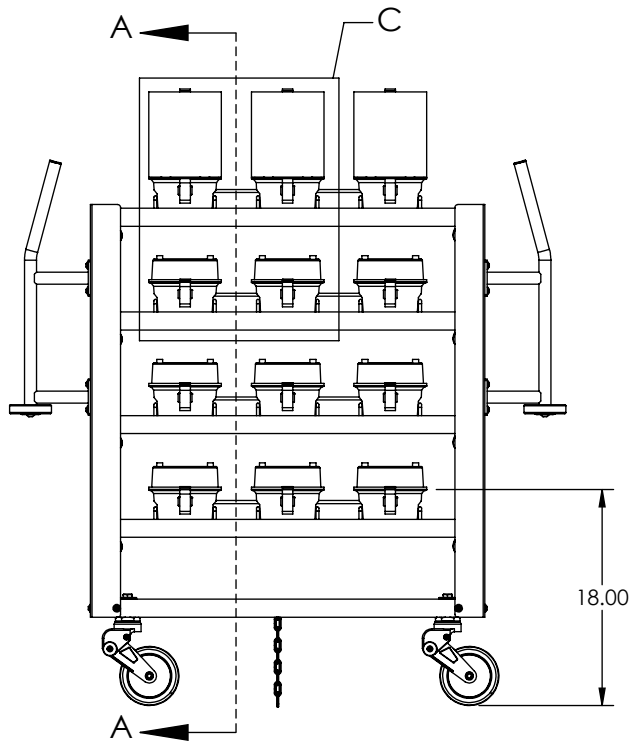
VOICE (505) 869-2222  
 FAX (505) 869-3333  
 www.pro-fab.com

1040 BOSQUE FARMS BLVD-BOSQUE FARMS, NM 87068

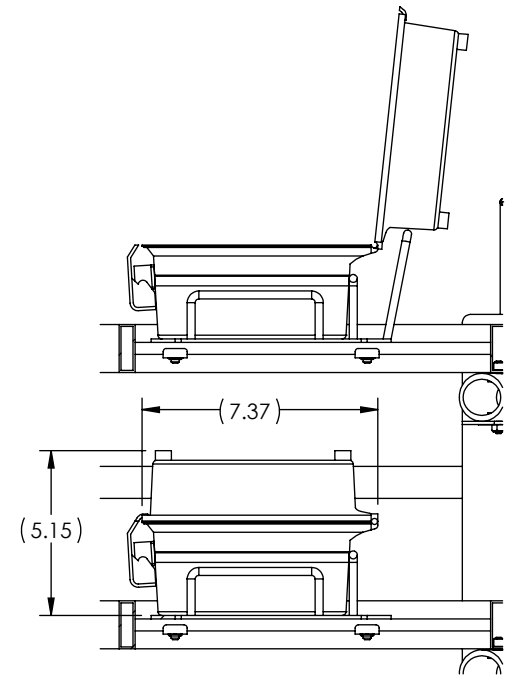
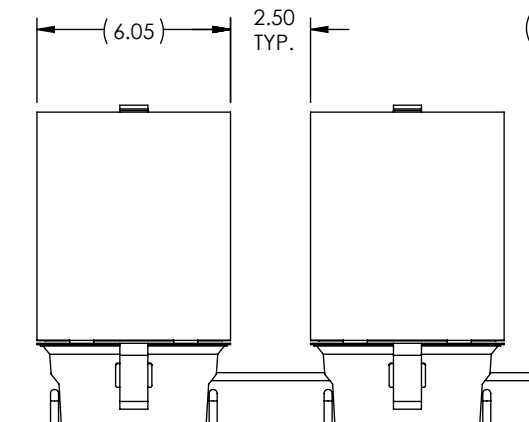
TITLE:  
**E97-101 ANTI-VIBE CART**  
**100 mm LOT BOX**

DWG. NO.  
**02209JPF**

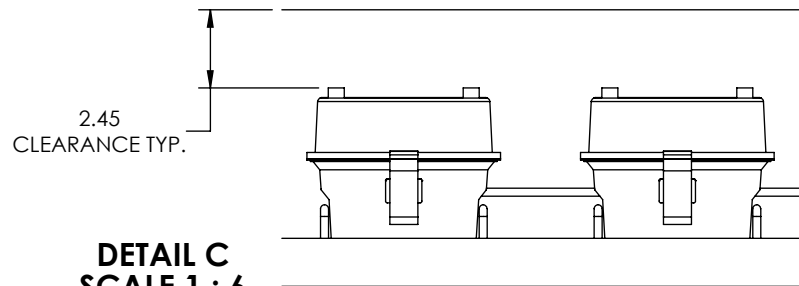
SIZE **A**    DATE: 2/20/2025    SCALE: NTS    WEIGHT: LBS    SHEET 1 OF 2



**SECTION A-A**



**DETAIL B  
SCALE 1 : 6**



**DETAIL C  
SCALE 1 : 6**

**PROPRIETARY AND CONFIDENTIAL**

THE INFORMATION CONTAINED IN THIS DRAWING IS THE SOLE PROPERTY OF PRO-FAB, INC. ANY REPRODUCTION IN PART OR AS A WHOLE WITHOUT THE WRITTEN PERMISSION OF PRO-FAB, INC. IS PROHIBITED.

DIMENSIONS ARE IN INCHES UNLESS OTHERWISE SPECIFIED  
 .X = ± .060 ANGLES = ± .5  
 .XX = ± .030 CUTS = ± .030  
 .XXX = ± .010 HOLE DIA = ± .005  
 .XXXX = ± .005  
 WELDMENTS = .030

DRAWN  
ABL

SALES  
SS



**PRO-FAB** INC.

VOICE (505) 869-2222  
 FAX (505) 869-3333  
 www.pro-fab.com

1040 BOSQUE FARMS BLVD-BOSQUE FARMS, NM 87068

TITLE:  
**E97-101 ANTI-VIBE CART  
 100 mm LOT BOX**

DWG. NO.  
**02209JPF**

SIZE **A**

DATE: 2/20/2025

SCALE: NTS

WEIGHT: LBS

SHEET 2 OF 2