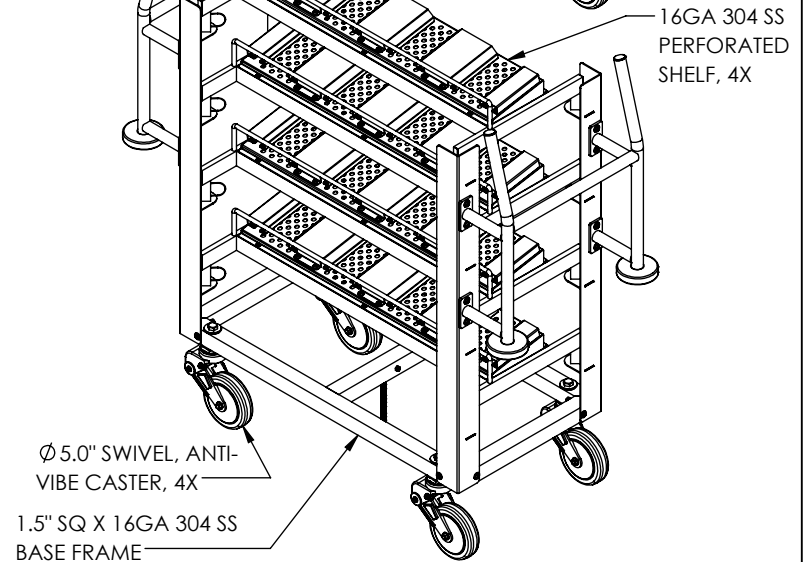
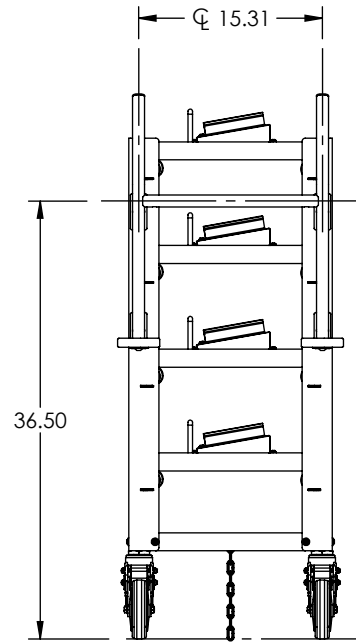
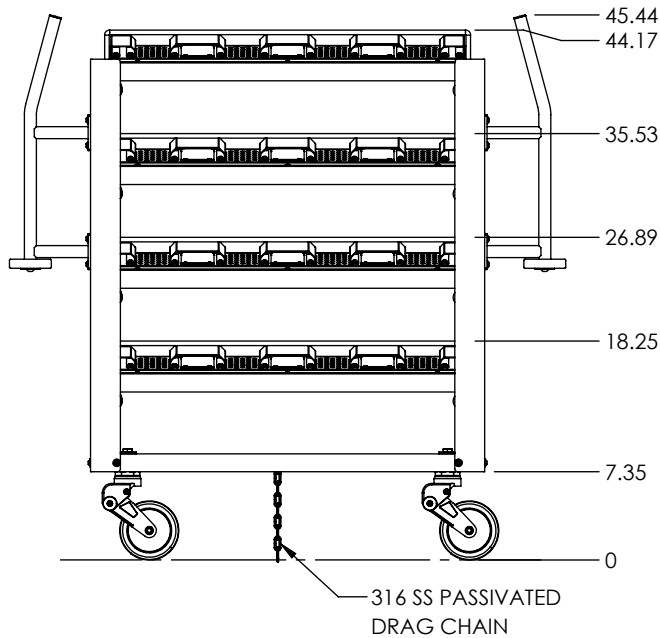
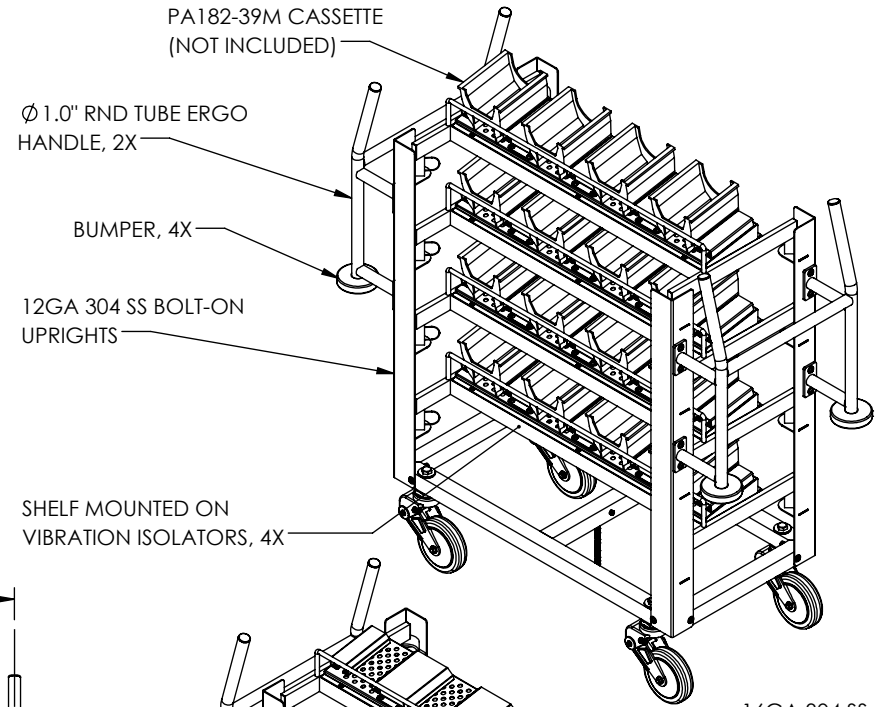


- FOR USE WITH PA182-39M CASSETTE
- CAPACITY OF 16 CASSETTES
- ELECTROPOLISH FINISH



NOTE: ALL DIMENSIONS ARE ± 1/8" AT FINAL INSPECTION.

PROPRIETARY AND CONFIDENTIAL
THE INFORMATION CONTAINED IN THIS DRAWING IS THE SOLE PROPERTY OF PRO-FAB, INC. ANY REPRODUCTION IN PART OR AS A WHOLE WITHOUT THE WRITTEN PERMISSION OF PRO-FAB, INC. IS PROHIBITED.

DIMENSIONS ARE IN INCHES UNLESS OTHERWISE SPECIFIED
.X = ± .060 ANGLES = ± .5
.XX = ± .030 CUTS = ± .030
.XXX = ± .010 HOLE DIA = ± .005
.XXXX = ± .005
WELDMENTS = .030

DRAWN
ABL
SALES
SS

PRO-FAB INC.

VOICE (505) 869-2222
FAX (505) 869-3333
www.pro-fab.com

1040 BOSQUE FARMS BLVD-BOSQUE FARMS, NM 87068

TITLE:

100 mm CASSETTE
ANTI-VIBE CART

DWG. NO.

02209KPF

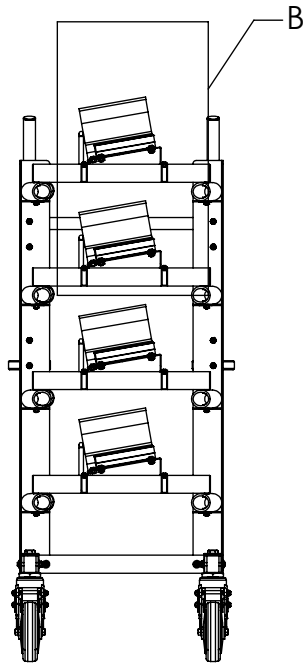
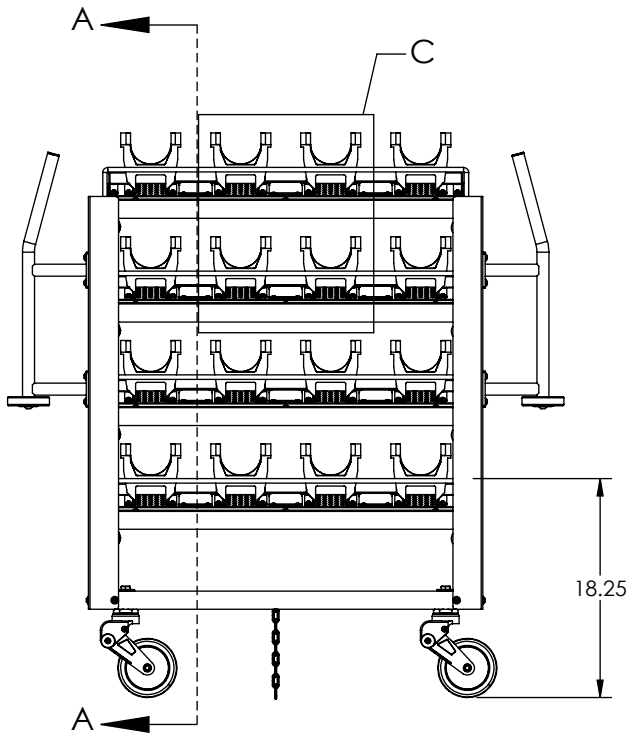
SIZE A

DATE: 2/20/2025

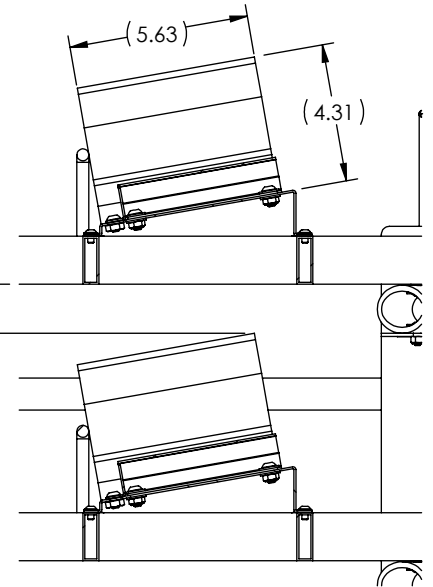
SCALE: NTS

WEIGHT: LBS

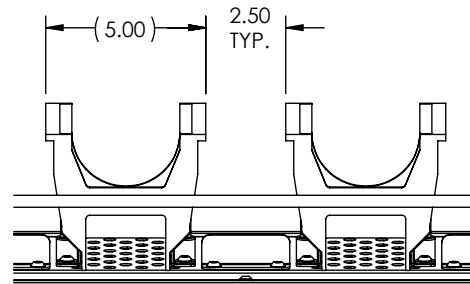
SHEET 1 OF 2



SECTION A-A



DETAIL B
SCALE 1 : 6



DETAIL C
SCALE 1 : 6

PROPRIETARY AND CONFIDENTIAL

THE INFORMATION CONTAINED IN THIS DRAWING IS THE SOLE PROPERTY OF PRO-FAB, INC. ANY REPRODUCTION IN PART OR AS A WHOLE WITHOUT THE WRITTEN PERMISSION OF PRO-FAB, INC. IS PROHIBITED.

DIMENSIONS ARE IN INCHES UNLESS OTHERWISE SPECIFIED
 .X = ± .060 ANGLES = ± .5
 .XX = ± .030 CUTS = ± .030
 .XXX = ± .010 HOLE DIA = ± .005
 .XXXX = ± .005
 WELDMENTS = .030

DRAWN
ABL

SALES
SS



PRO-FAB INC.

VOICE (505) 869-2222
 FAX (505) 869-3333
 www.pro-fab.com

1040 BOSQUE FARMS BLVD-BOSQUE FARMS, NM 87068

TITLE:

100 mm CASSETTE
 ANTI-VIBE CART

DWG. NO.

02209KPF

SIZE **A**

DATE: 2/20/2025

SCALE: NTS

WEIGHT: LBS

SHEET 2 OF 2