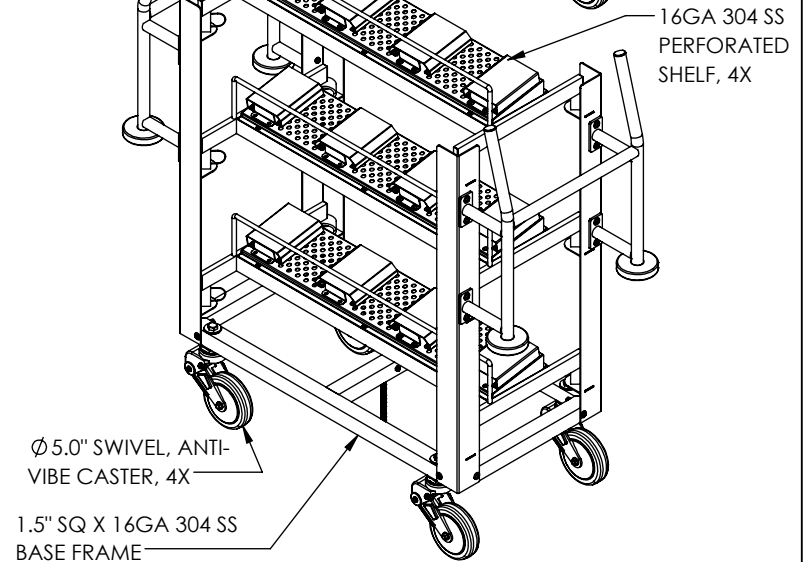
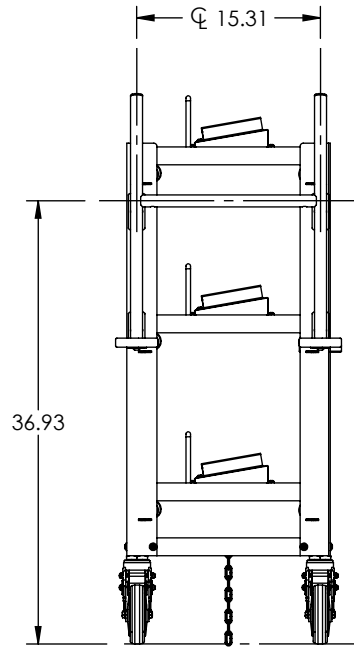
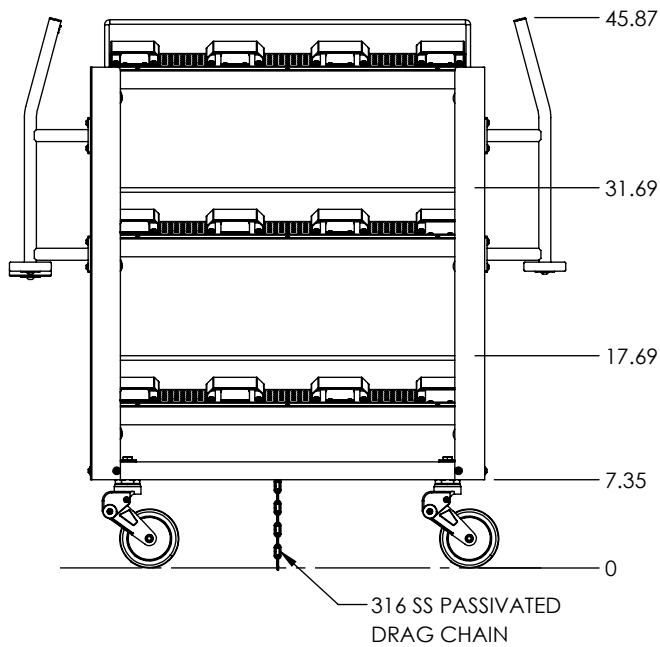
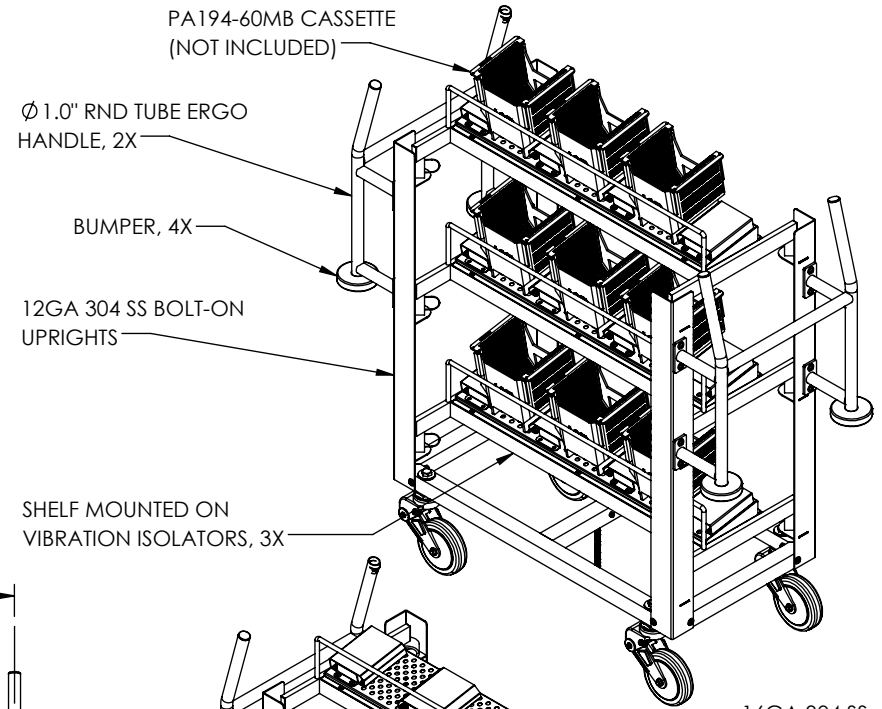


- FOR USE WITH 150mm CASSETTE
- CAPACITY OF 9 CASSETTES
- ELECTROPOLISH FINISH



NOTE: ALL DIMENSIONS ARE ± 1/8" AT FINAL INSPECTION.

PROPRIETARY AND CONFIDENTIAL

THE INFORMATION CONTAINED IN THIS DRAWING IS THE SOLE PROPERTY OF PRO-FAB, INC. ANY REPRODUCTION IN PART OR AS A WHOLE WITHOUT THE WRITTEN PERMISSION OF PRO-FAB, INC. IS PROHIBITED.

DIMENSIONS ARE IN INCHES UNLESS OTHERWISE SPECIFIED
 .X = ± .060 ANGLES = ± .5
 .XX = ± .030 CUTS = ± .030
 .XXX = ± .010 HOLE DIA = ± .005
 .XXXX = ± .005
 WELDMENTS = .030

DRAWN
 ABL

SALES
 SS



PRO-FAB INC.

VOICE (505) 869-2222
 FAX (505) 869-3333
 www.pro-fab.com

1040 BOSQUE FARMS BLVD-BOSQUE FARMS, NM 87068

TITLE:

100 mm CASSETTE
 ANTI-VIBE CART

DWG. NO.

02209MPF

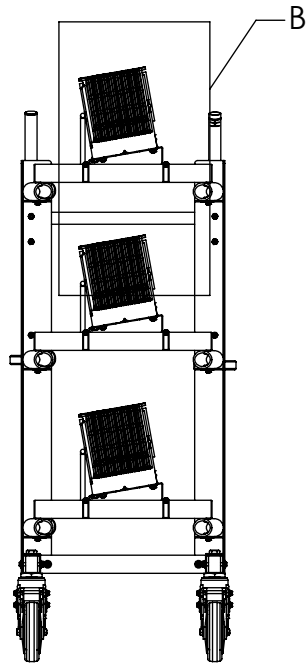
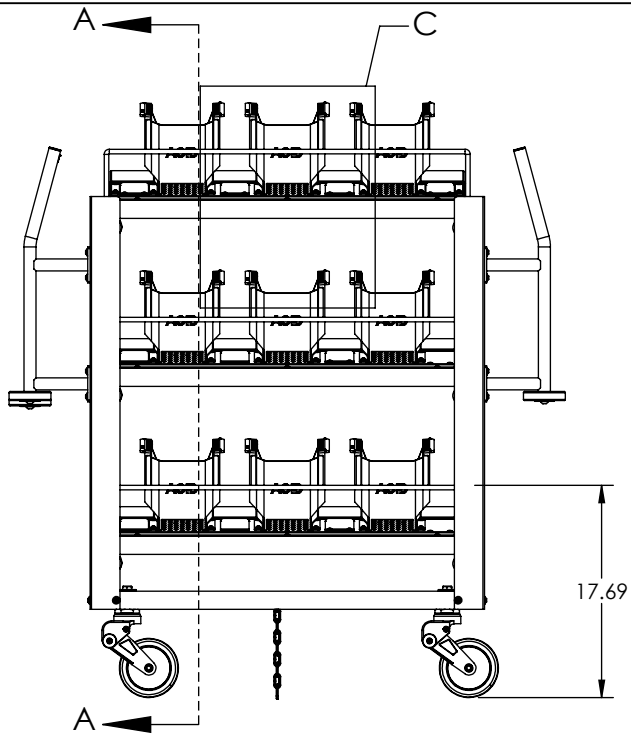
SIZE **A**

DATE: 2/27/2025

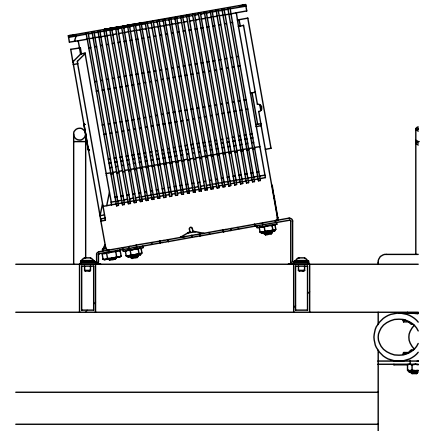
SCALE: NTS

WEIGHT: LBS

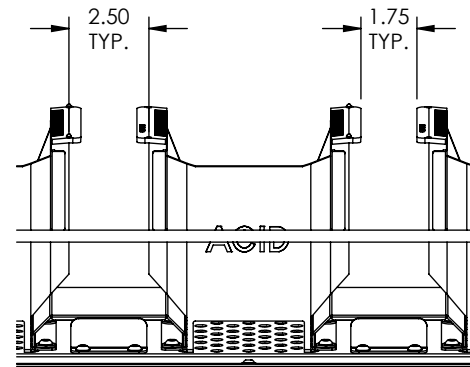
SHEET 1 OF 2



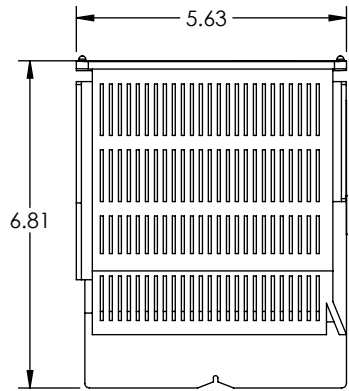
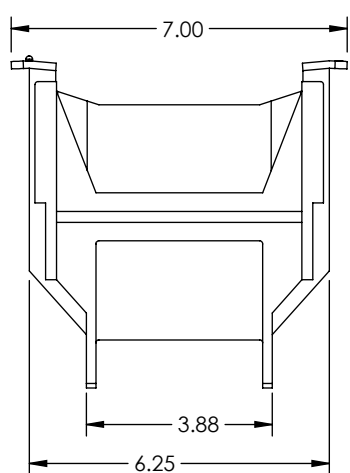
SECTION A-A



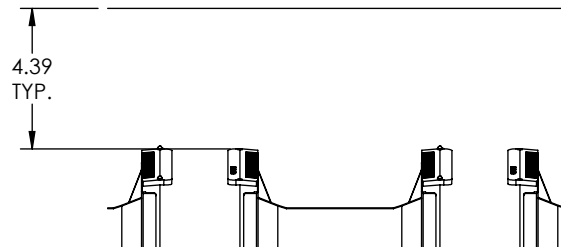
**DETAIL B
SCALE 1 : 6**



**DETAIL C
SCALE 1 : 6**



**REPRESENTATION OF PA194-60MB 150mm CASSETTE
(NOT INCLUDED, FOR REFERENCE ONLY)**



PROPRIETARY AND CONFIDENTIAL

THE INFORMATION CONTAINED IN THIS DRAWING IS THE SOLE PROPERTY OF PRO-FAB, INC. ANY REPRODUCTION IN PART OR AS A WHOLE WITHOUT THE WRITTEN PERMISSION OF PRO-FAB, INC. IS PROHIBITED.

DIMENSIONS ARE IN INCHES UNLESS OTHERWISE SPECIFIED
 .X = ± .060 ANGLES = ± .5
 .XX = ± .030 CUTS = ± .030
 .XXX = ± .010 HOLE DIA = ± .005
 .XXXX = ± .005
 WELDMENTS = .030

DRAWN
ABL
SALES
SS



PRO-FAB INC.

VOICE (505) 869-2222
 FAX (505) 869-3333
 www.pro-fab.com

1040 BOSQUE FARMS BLVD-BOSQUE FARMS, NM 87068

TITLE:

**100 mm CASSETTE
ANTI-VIBE CART**

DWG. NO.

02209MPF

SIZE **A** DATE: 2/27/2025 SCALE: NTS WEIGHT: LBS SHEET 2 OF 2